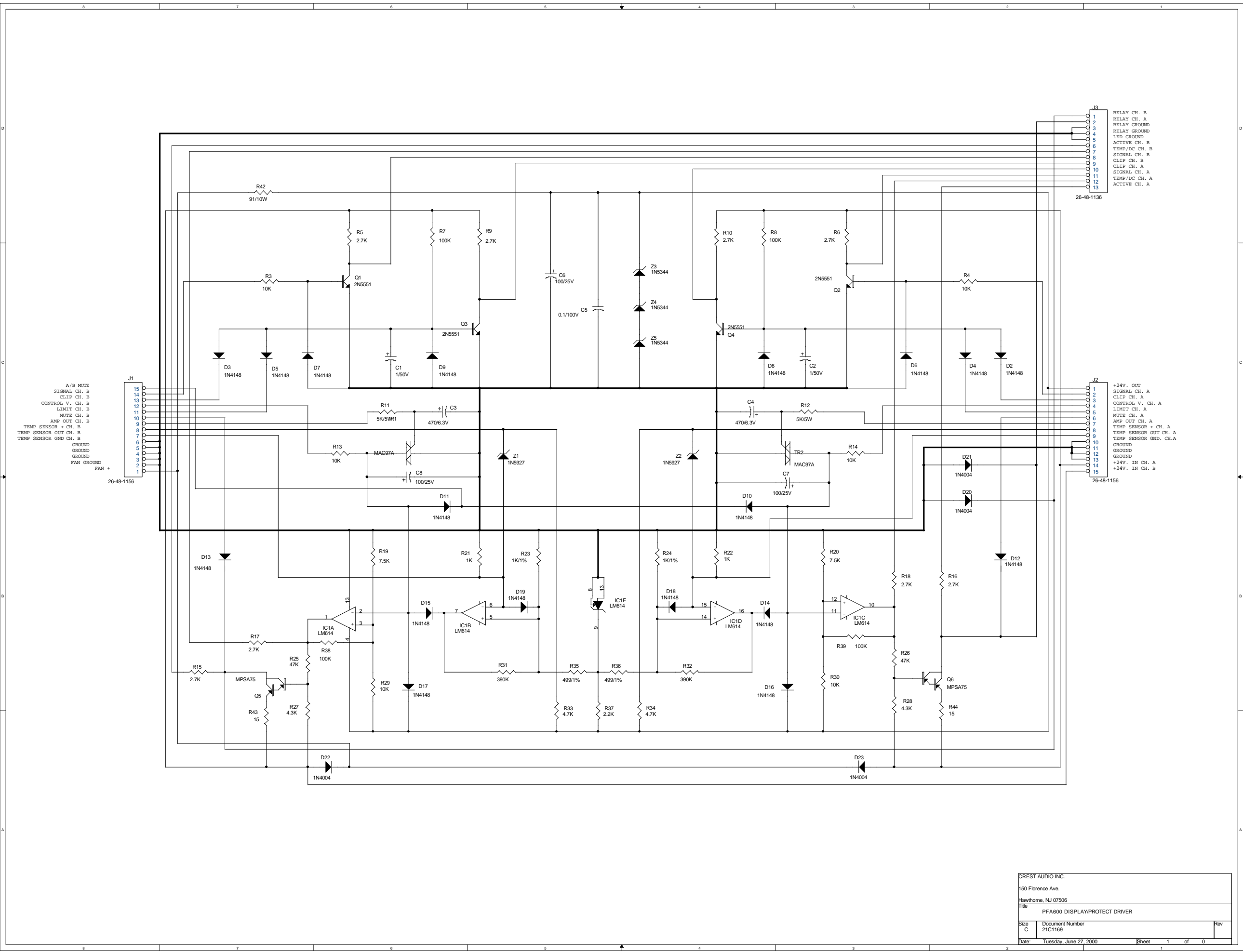




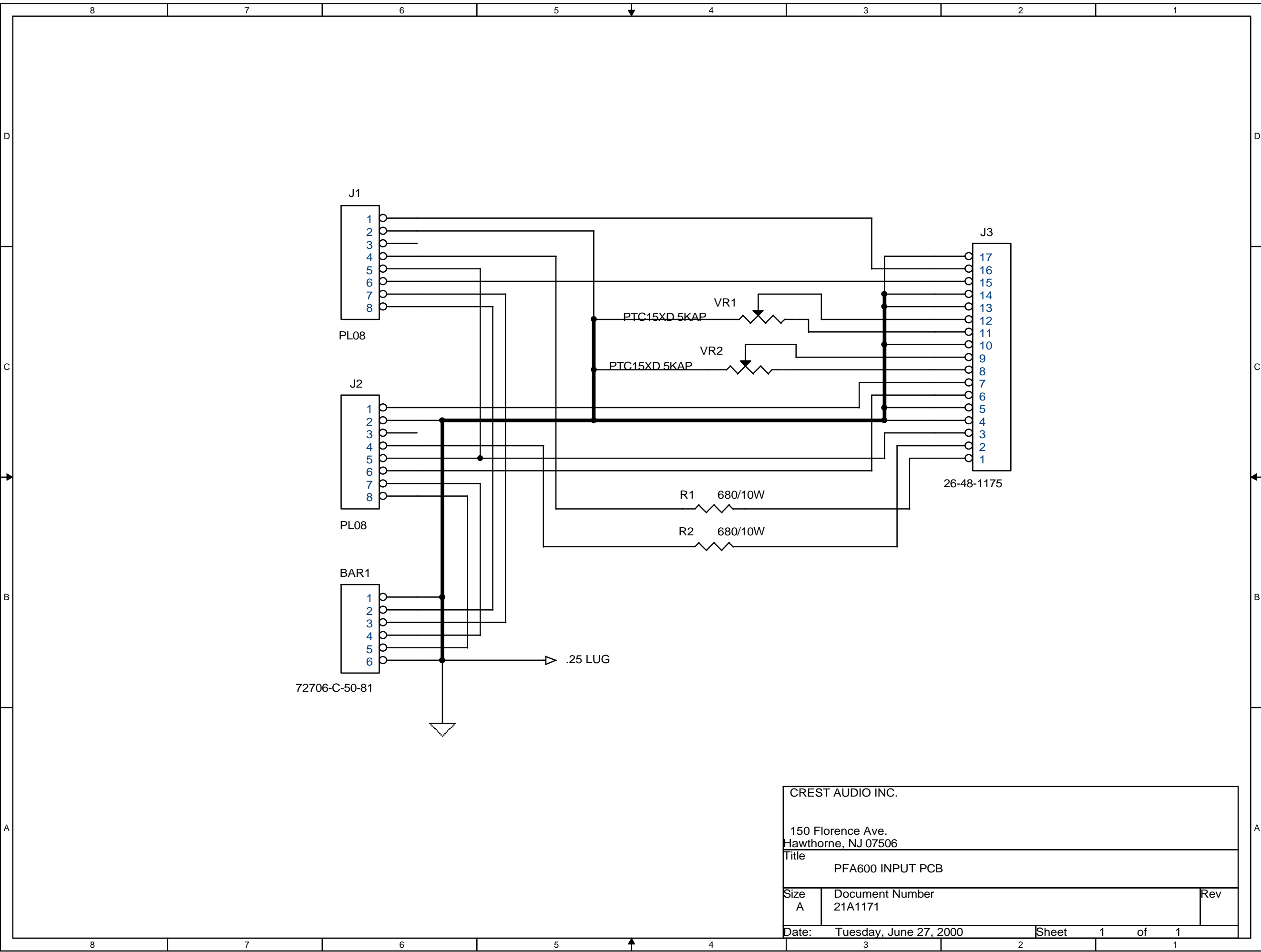
PFA600 Power amplifiers

1. Display board
2. Input board
3. Preamp
4. Power supply driver
5. Power supply board
6. Relay board
7. Voltage monitor
8. Output module

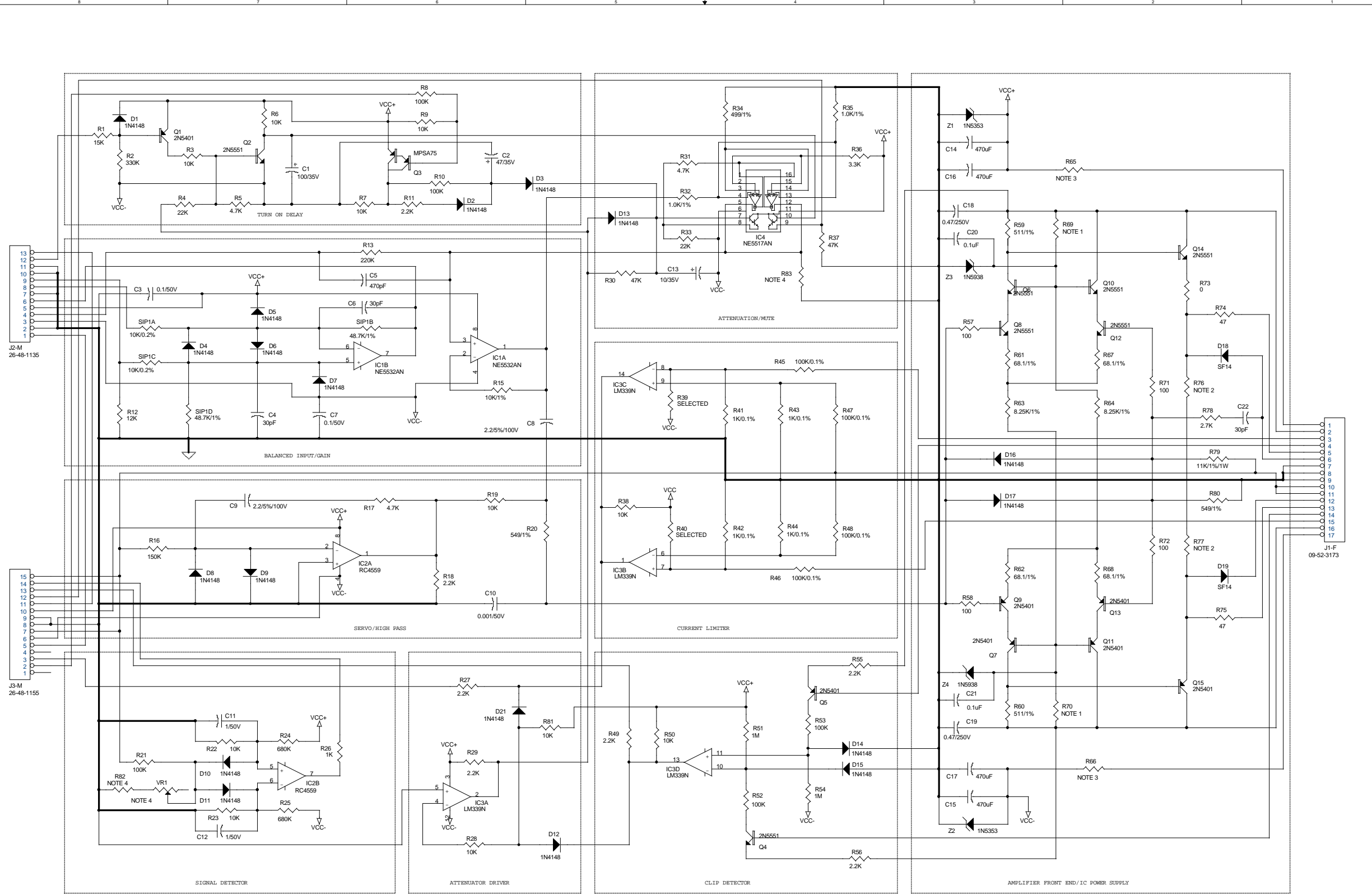


- J3
- 1 RELAY CH. B
 - 2 RELAY CH. A
 - 3 RELAY GROUND
 - 4 RELAY GROUND
 - 5 LED GROUND
 - 6 ACTIVE CH. B
 - 7 TEMP/DC CH. B
 - 8 SIGNAL CH. B
 - 9 CLIP CH. B
 - 10 CLIP CH. A
 - 11 SIGNAL CH. A
 - 12 TEMP/DC CH. A
 - 13 ACTIVE CH. A
- 26-48-1136

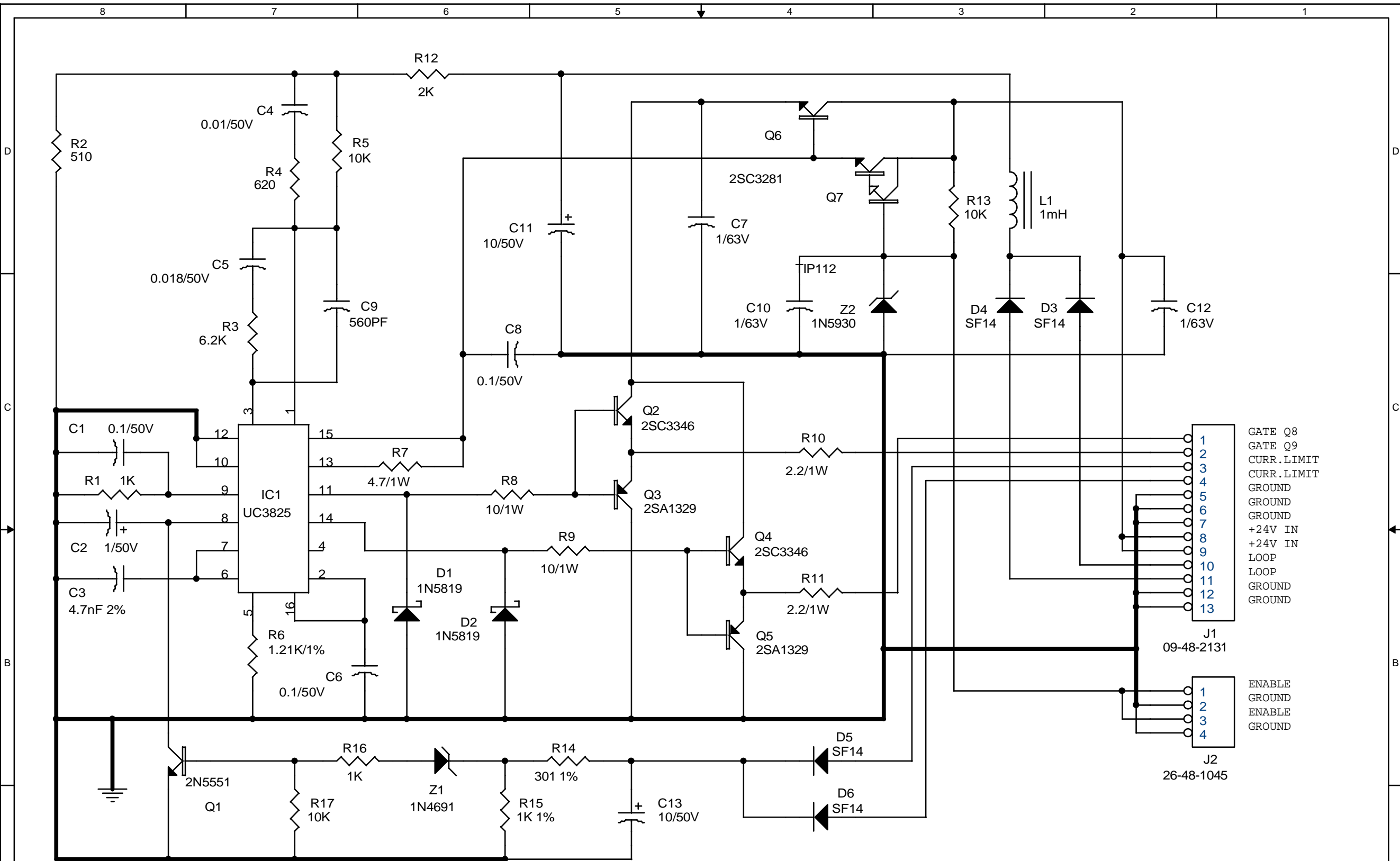
- J2
- 1 +24V. OUT
 - 2 SIGNAL CH. A
 - 3 CLIP CH. A
 - 4 CONTROL V. CH. A
 - 5 LIMIT CH. A
 - 6 MUTE CH. A
 - 7 AMP OUT CH. A
 - 8 TEMP SENSOR + CH. A
 - 9 TEMP SENSOR OUT CH. A
 - 10 TEMP SENSOR GND. CH. A
 - 11 GROUND
 - 12 GROUND
 - 13 GROUND
 - 14 +24V. IN CH. A
 - 15 +24V. IN CH. B
- 26-48-1156



CREST AUDIO INC.
 150 Florence Ave.
 Hawthorne, NJ 07506
 Title PFA600 INPUT PCB
 Size A Document Number 21A1171 Rev
 Date: Tuesday, June 27, 2000 Sheet 1 of 1



NOTE 1: 6.8K 2W 5%
 NOTE 2: 20K 2W 5%
 NOTE 3: 680 10W 5%



- 1 GATE Q8
- 2 GATE Q9
- 3 CURR.LIMIT
- 4 CURR.LIMIT
- 5 GROUND
- 6 GROUND
- 7 GROUND
- 8 +24V IN
- 9 +24V IN
- 10 LOOP
- 11 LOOP
- 12 GROUND
- 13 GROUND

J1
09-48-2131

- 1 ENABLE
- 2 GROUND
- 3 ENABLE
- 4 GROUND

J2
26-48-1045

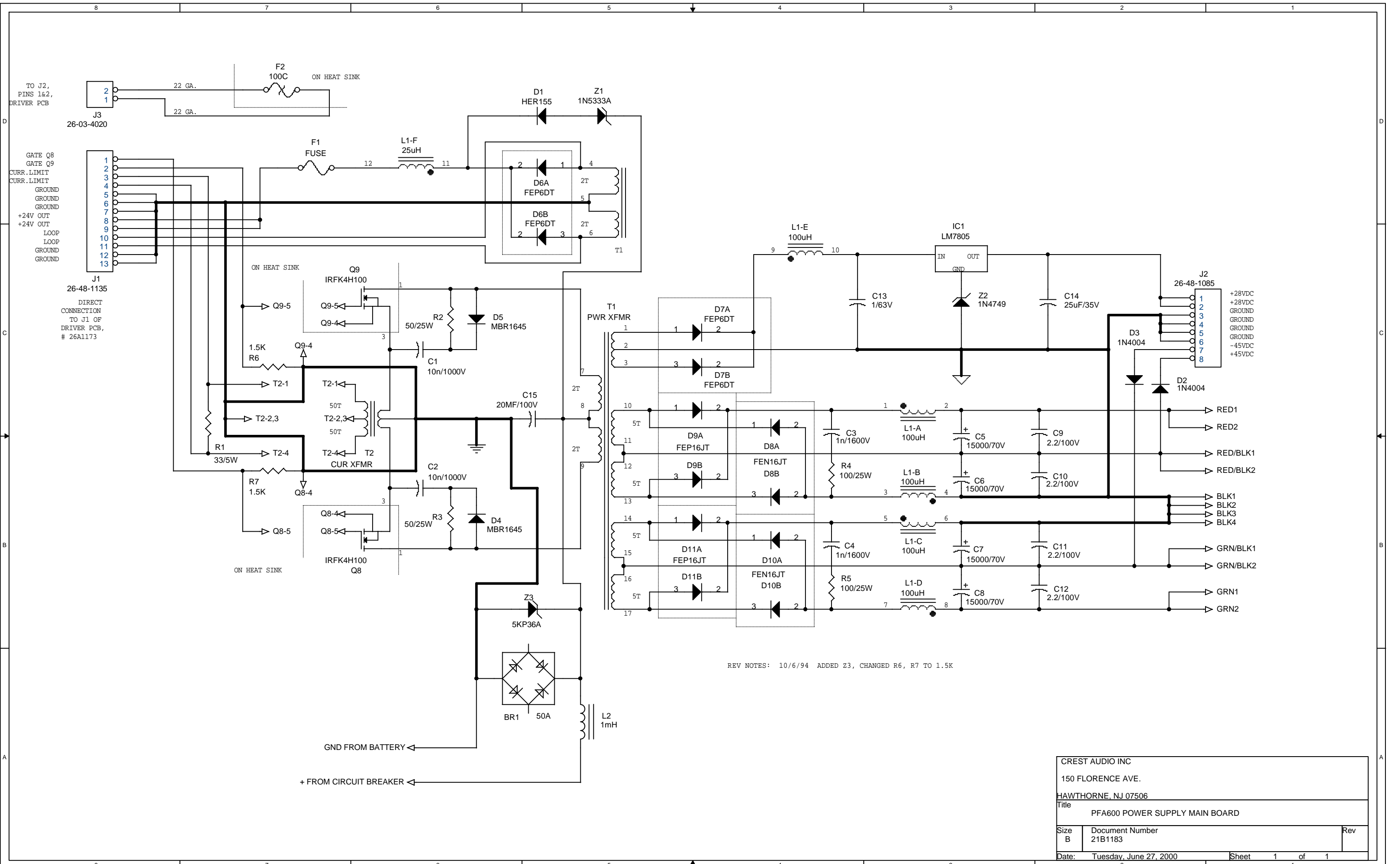
REV NOTES: 10/6/94 CHANGED Z1 FROM 1N829 TO 1N4691, R17 FROM 100K TO 10K

CREST AUDIO INC.
150 FLORENCE AVE.
HAWTHORNE, NJ 07506

Title
PFA600 POWER SUPPLY DRIVER

Size A	Document Number 21A1173	Rev
-----------	----------------------------	-----

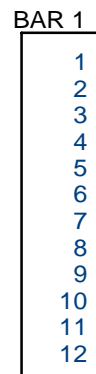
Date: Tuesday, June 27, 2000 Sheet 1 of 1



REV NOTES: 10/6/94 ADDED Z3, CHANGED R6, R7 TO 1.5K

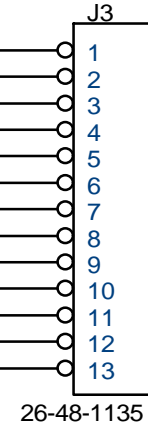
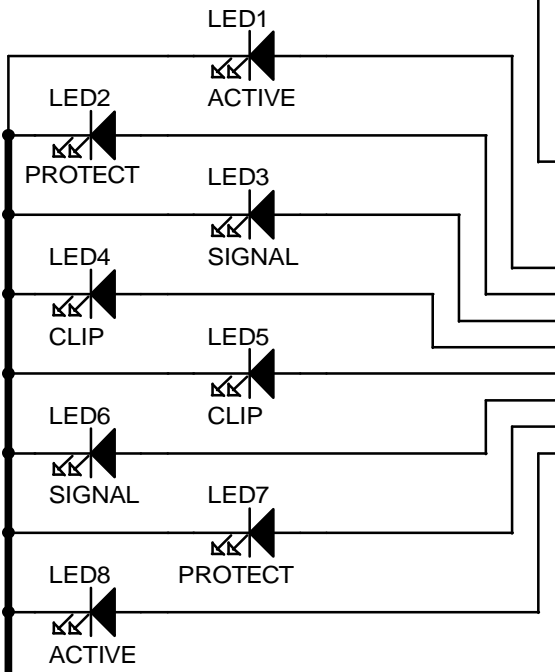
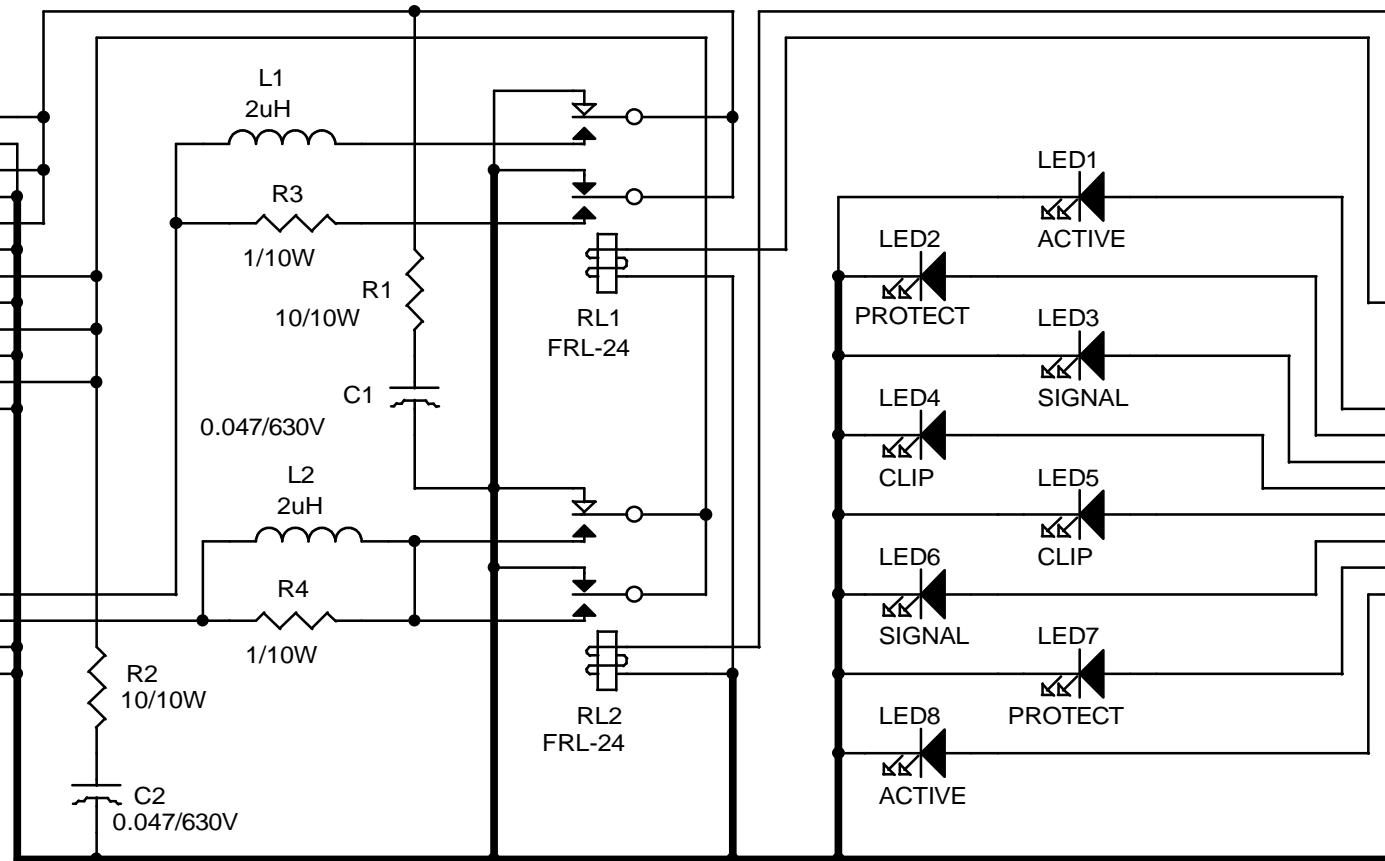
CREST AUDIO INC		
150 FLORENCE AVE.		
HAWTHORNE, NJ 07506		
Title PFA600 POWER SUPPLY MAIN BOARD		
Size B	Document Number 21B1183	Rev
Date: Tuesday, June 27, 2000	Sheet 1	of 1

AMP OUT CH. A
GROUND
AMP OUT CH. A
GROUND
AMP OUT CH. A
GROUND
AMP OUT CH. B
GROUND
AMP OUT CH. B
GROUND
AMP OUT CH. B
GROUND
AMP OUT CH. B
GROUND



72512-50-55-C

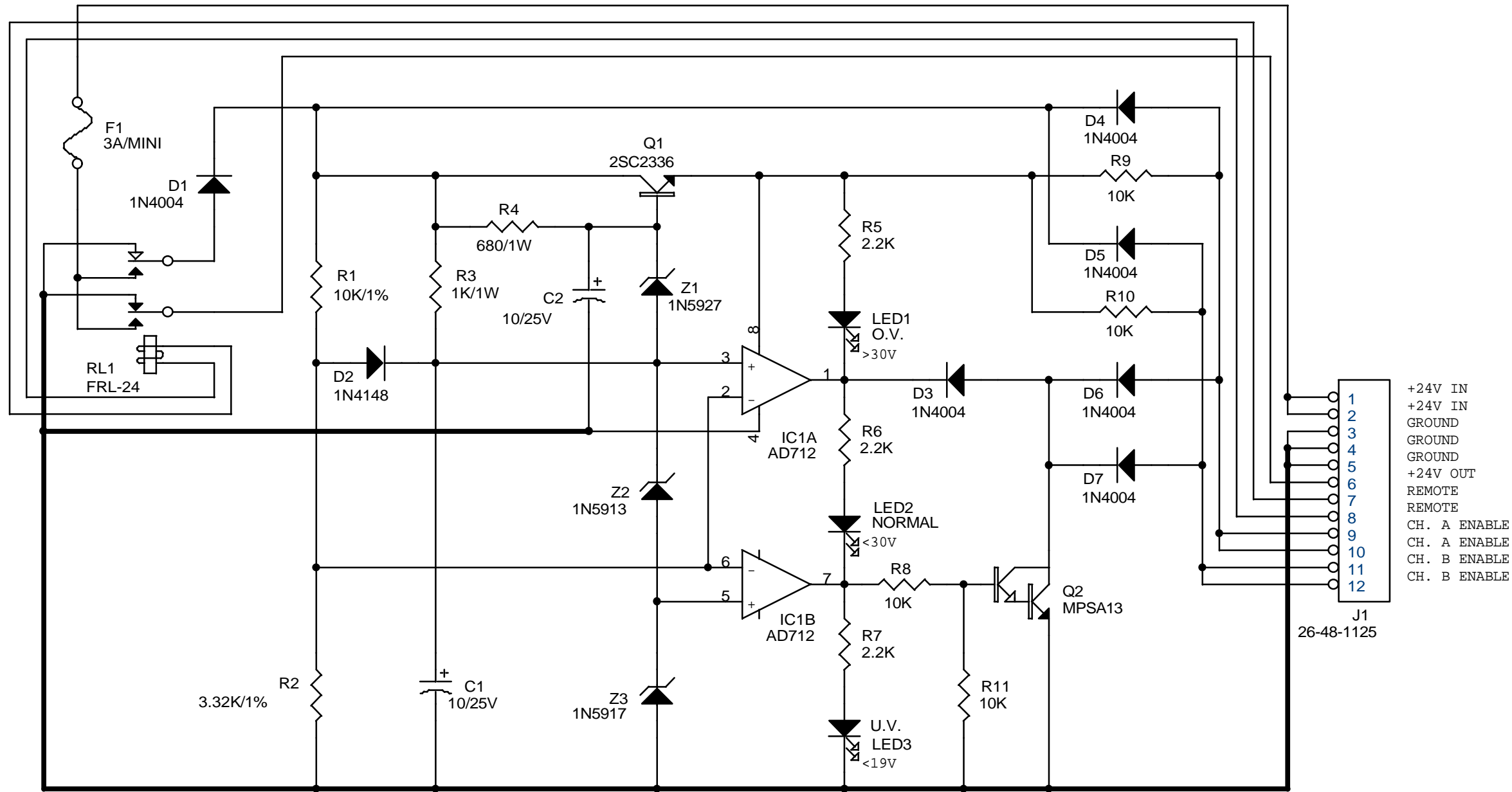
FROM CH. A OUT
FROM CH. B OUT
PWR SUPPLY GND
PWR SUPPLY GND



26-48-1135

RELAY CH. B
RELAY CH. A
RELAY GROUND
RELAY GROUND
LED GROUND
ACTIVE CH. A
TEMP/DC CH. A
SIGNAL CH. A
CLIP CH. A
CLIP CH. B
SIGNAL CH. B
TEMP/DC CH. B
ACTIVE CH. B

CREST AUDIO INC.		
150 Florence Ave. Hawthorne, NJ 07506		
Title PFA600 RELAY/LED PCB		
Size A	Document Number 26A1170	Rev
Date: Tuesday, June 27, 2000	Sheet 0	of 0



NOTE: R8,R11 AND Q2 ARE NOT USED
 R3 CHANGED FROM 10K TO 1K/1W ON 4/7/92
 R4 CHANGED FROM 1K/1W TO 680/1W ON 4/7/92

CREST AUDIO INC.		
150 Florence Ave. Hawthorne, NJ 07506		
Title PFA600 VOLTAGE MONITOR/CONTROLLER		
Size A	Document Number 26A1172	Rev
Date: Tuesday, June 27, 2000	Sheet 0	of 0

6

5

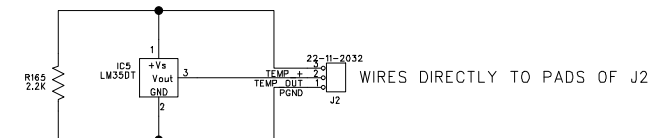
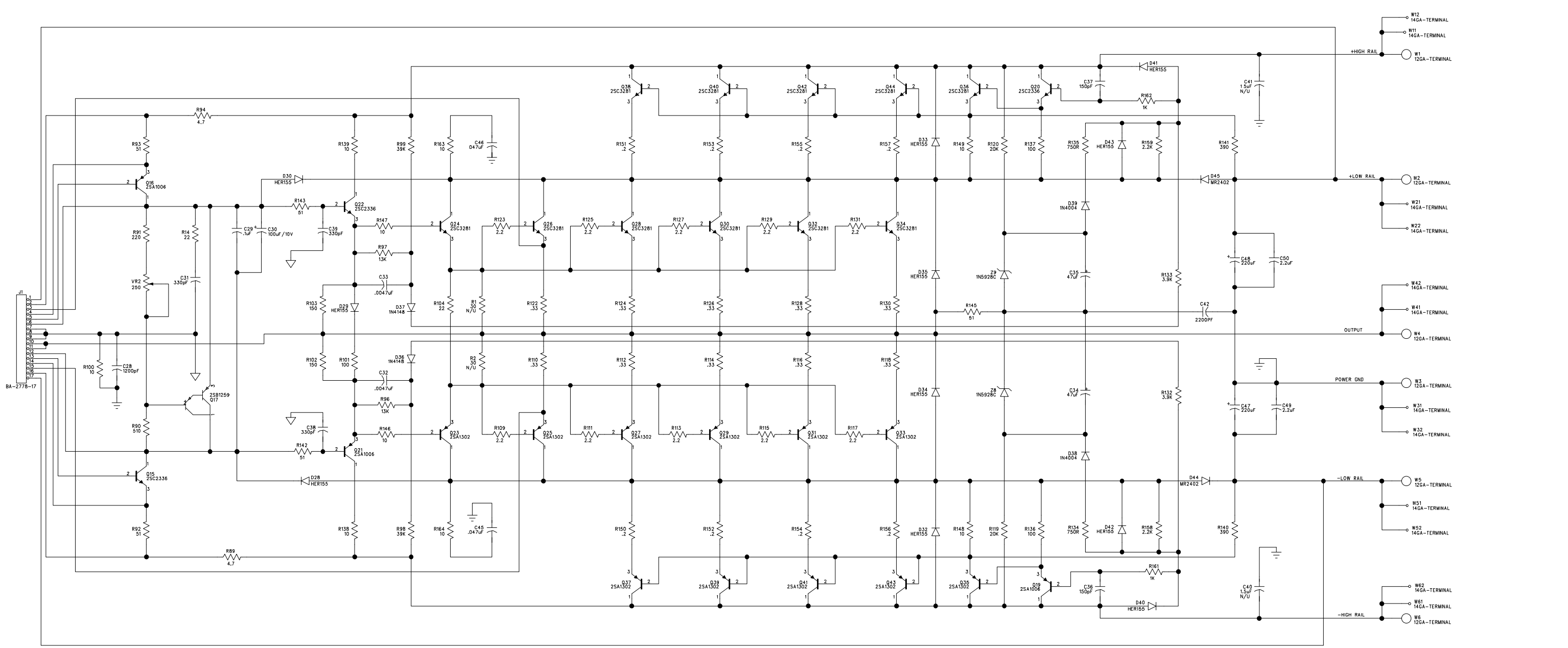
4

3

2

1

REVISION RECORD			
LTR	ECO NO:	APPROVED:	DATE:



TITLE: **8001/CA12/PFA600 OUTPUT MODULE**

DRAWN: J.A.B.	DATED: 8/15/94
CHECKED:	DATED:
QUALITY CONTROL:	DATED:
RELEASED:	DATED:

CODE:	SIZE: D	DRAWING NO: 4629-00	REV: 4
SCALE:		SHEET: 1	10F 2 1